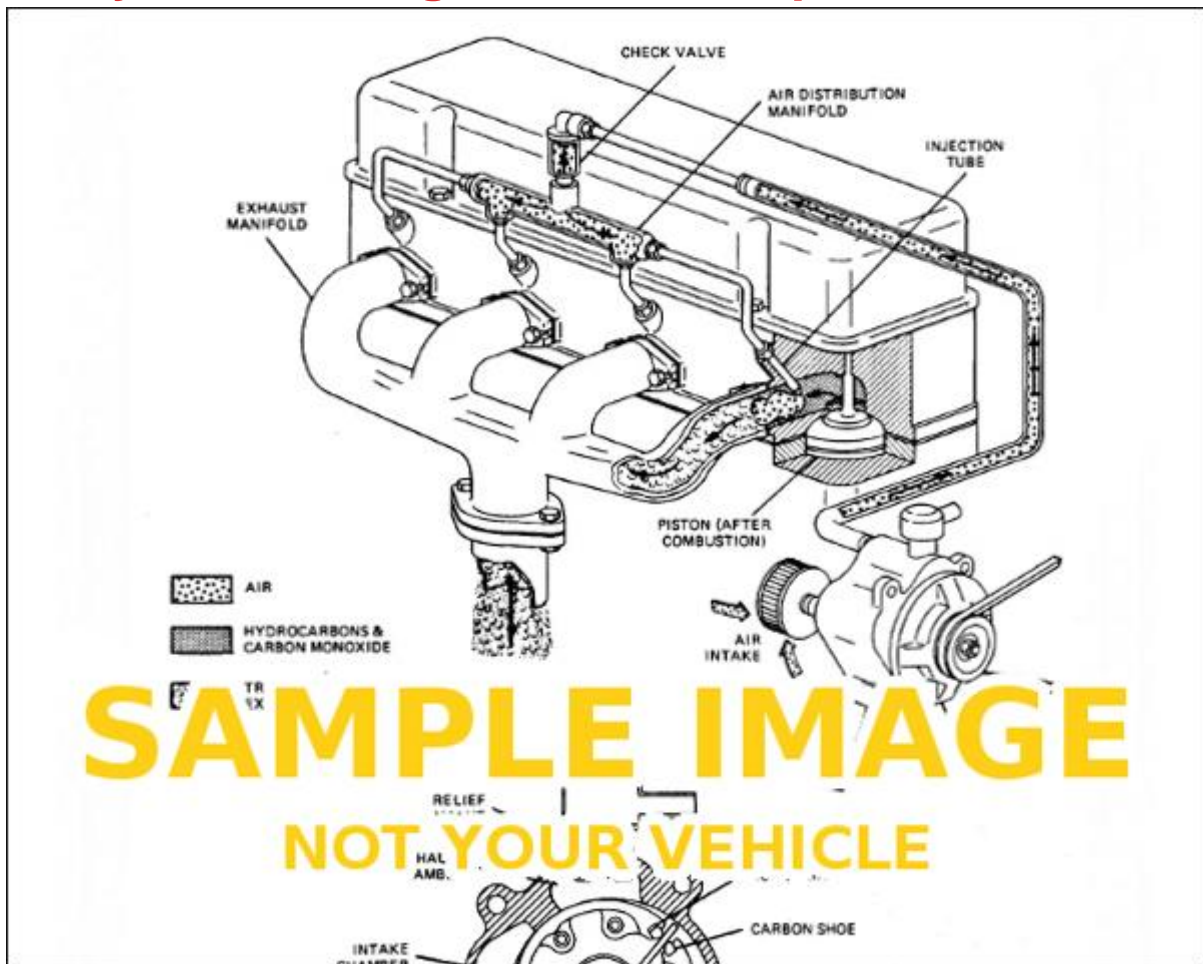


1999 Chrysler Sebring Service & Repair Manual Software



[DOWNLOAD HERE](#)

LICENSED OEM SERVICE AND REPAIR MANUAL SOFTWARE FOR THE 1999 CHRYSLER SEBRING! If you need a repair manual for your Chrysler, you've come to the right place. Now you can get your repair manual online in convenient digital format. Old paper repair manuals just don't compare! This online repair manual software covers the Chrysler Sebring and is perfect for any do-it-yourselfer. In the dark old days of auto repair, you had to buy a traditional service manual in book format which would retail at a higher cost. Getting the same information in digital format is so much less expensive and more convenient! Maybe you need the manual to fix the brakes on your Sebring, or possibly replace some worn out suspension components. Or you might need to get your engine running, or just do the required standard maintenance. Whatever the case may be, this repair manual software for the Chrysler Sebring is just what you need. You will have all the service information you could ever need for your vehicle. It will help you fix the brakes, engine, suspension, steering, drivetrain, electrical problems, heat, air

conditioning, etc. Anything can be fixed! You can save a lot of money by working on your own vehicle. You probably already know this, but mechanics charge a lot. Do it yourself and use this 1999 Chrysler Sebring repair manual software to guide the way. It gives you the manual for your Sebring and its very easy to use. It is compatible with any Windows computer including desktop PCs, laptops, smartphones and tablets. License includes 1-year access to OEM service and repair procedures and unlimited access to supplemental data.

[DOWNLOAD HERE](#)

Similar manuals:

[The Linkstrasse Road At Potsdamer Platz Square With Buildings Of DaimlerChrysler, Berlin, Germany, Europe](#)

[The Linkstrasse Road At Potsdamer Platz Square With Buildings Of DaimlerChrysler, Berlin, Germany, Europe](#)

[New York, Skyscrapers And Chrysler Building In Manhattan, Drawing, Artist Gerhard Kraus, Kriffel, Germany](#)

[1998 Chrysler Voyager Workshop Service Repair Manual DOWNLOAD](#)

[CHRYSLER 300, 300C, 300m TOURING SEDANS AND DODGE MAGNUM BODY REPAIR MANUAL DOWNLOAD](#)

[1966-1999 Chrysler Force Marine Workshop Repair Manual](#)

[2004 Chrysler Dodge 300M Workshop Repair Manual DOWNLOAD](#)

[1998 Chrysler Voyager Workshop Repair Manual DOWNLOAD](#)

[Chrysler Force Marine Workshop Repair Service Manual DOWNLOAD](#)

[2005 Dodge Chrysler 300 , 300C , Magnum Service Manual](#)

[CHRYSLER DODGE 41TE 604 AUTOMATIC TRANSMISSION REBUILD MANUAL](#)

[2004 Pacifica CS Chrysler , Service Shop Manual](#)

[2004 Pacifica CS Chrysler , 4 Diagnostic Manuals](#)

[2004 Pacifica Chrysler , Service Manual & Diagnostic Manuals](#)

[2007 Caliber PM Dodge Chrysler , Body Repair Manual](#)

[1992 Acclaim Dynasty LeBaron Shadow Chrysler Service Manual](#)

[1993 Acclaim Dynasty LeBaron Shadow Chrysler Service Manual](#)

[1997 Chrysler Cirrus & Stratus Original Service Shop Manual](#)

[1999 Chrysler Cirrus & Stratus Original Service Shop Manual](#)

[CHRYSLER VOYAGER 2001 Repair Service Manual](#)

[2000 , Intrepid Concorde LHS 300M Chrysler Service Manual](#)

[2002 Intrepid Concorde 300M - Chrysler Dodge Service Manual](#)

[2004 Intrepid Concorde 300M - Chrysler Dodge Service Manual](#)

[2001 PT Cruiser Chrysler Service Manual & Diagnostic Manuals](#)

[2003 PT Cruiser Chrysler Original Service Manual](#)

[1998 1999 Neon PL Dodge - Plymouth - Chrysler Service Manual](#)

[2000 Neon PL Dodge - Plymouth - Chrysler Service Manual](#)

[2001 Neon PL Chrysler Service Manual](#)

[2001 Neon PL Chrysler Service Manual & Diagnostic Manuals](#)

[2004 Neon PL Chrysler Service Manual](#)

[2004 Neon PL Chrysler Service Manual & Diagnostic Manuals](#)

[CHRYSLER CROSSFIRE DIGITAL WORKSHOP REPAIR MANUAL 2003-2007](#)

[CHRYSLER CROSSFIRE DIGITAL WORKSHOP REPAIR MANUAL 2004-2008](#)

[CHRYSLER CONCORD DIGITAL WORKSHOP REPAIR MANUAL 1998-2004](#)

[CHRYSLER CROSSFIRE SRT 6 DIGITAL WORKSHOP REPAIR MANUAL 2005-2006](#)

[Chrysler Voyager 1998 Service Repair Manual Download](#)

[1999 Chrysler Sebring Convertible Service Repair Manual 99](#)

[1995 Chrysler LeBaron Service Repair Manual 95](#)

[CHRYSLER VOYAGER TOWN COUNTRY DIGITAL WORKSHOP REPAIR MANUAL 1996-1999](#)

[CHRYSLER Neon Electronic Service Manual 1999](#)

[CHRYSLER SERVICE MANUAL](#)

[1992 Town & Country Chrysler Original Service - Shop Manual](#)

[Chrysler Jeep Grand Cherokee XJ WG WJ FSM WIS Service Manual](#)

[Chrysler Neon Service Repair Manual](#)

[Chrysler Voyager GS Service Repair Manual 1996-1999](#)

[Chrysler Service Manual](#)

[Chrysler Voyager Revue Technique Manual](#)

[Chrysler Town Country Voyager Dodge Grand Manual 1983-1996](#)

[1993 Town & Country Chrysler Original Service - Shop Manual](#)

[1994 Town & Country Chrysler Service - Shop Manual And CNG](#)